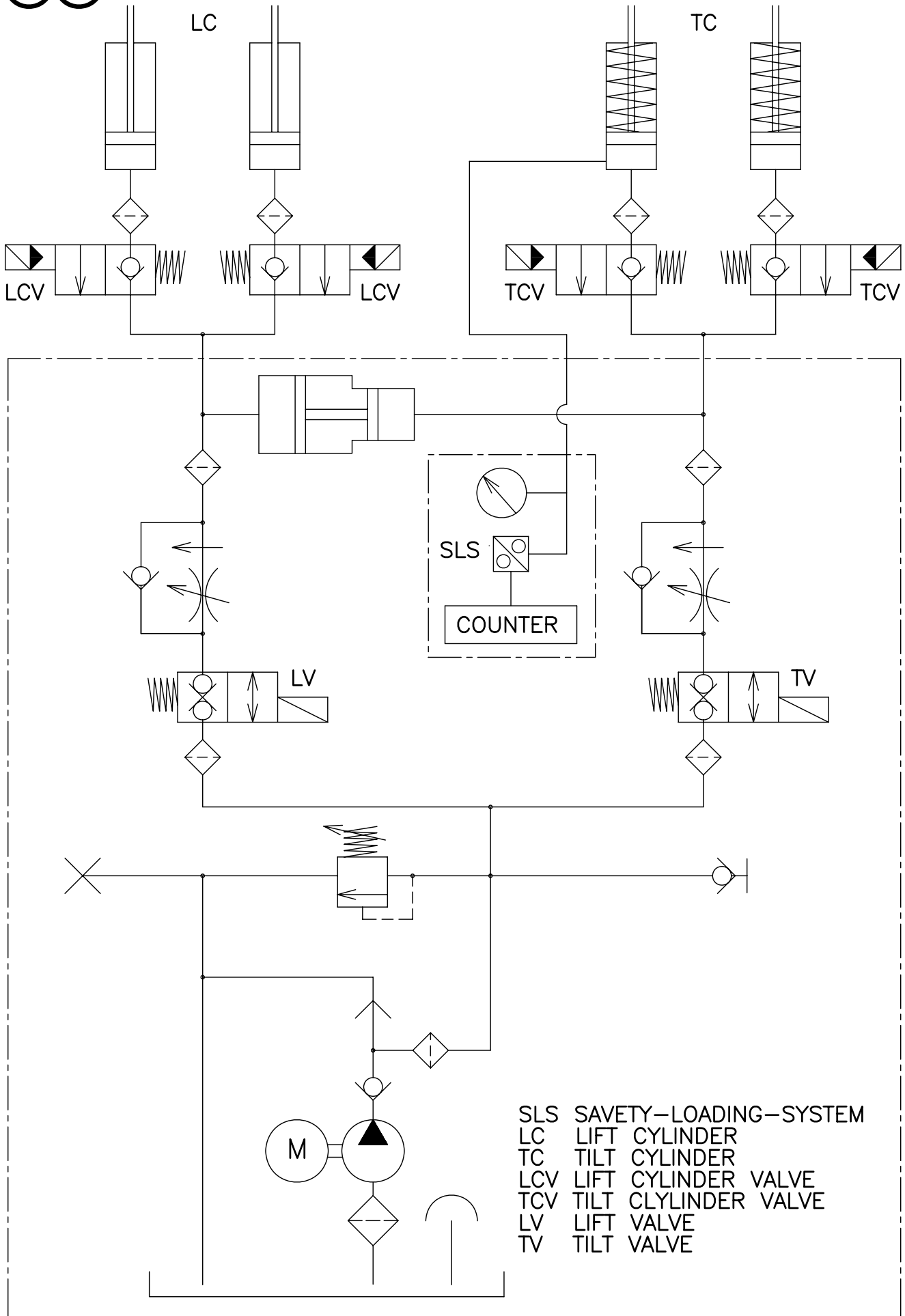
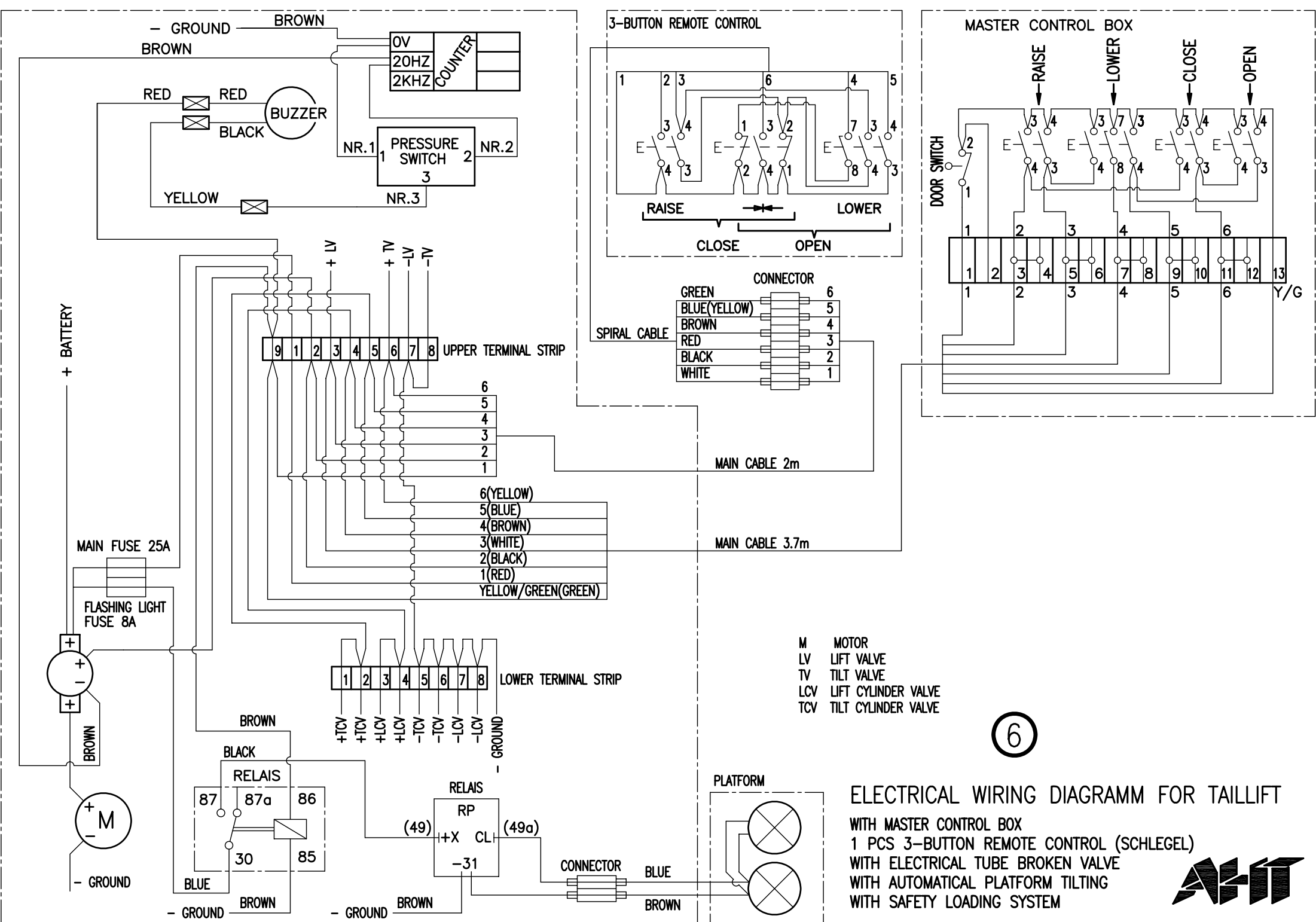


1 2 3 6  
13 15 17

# HYDRAULIC SCHEMATIC



SLS SAFETY-LOADING-SYSTEM  
 LC LIFT CYLINDER  
 TC TILT CYLINDER  
 LCV LIFT CYLINDER VALVE  
 TCV TILT CLYINDER VALVE  
 LV LIFT VALVE  
 TV TILT VALVE

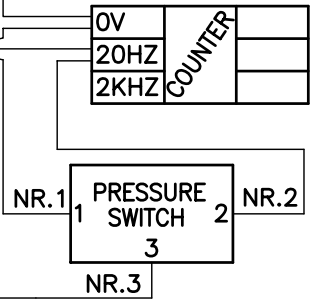


+ BATTERY

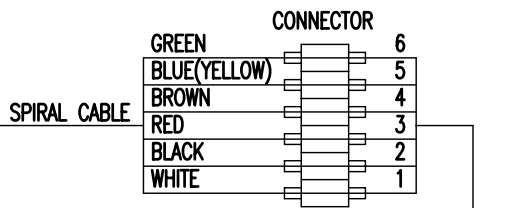
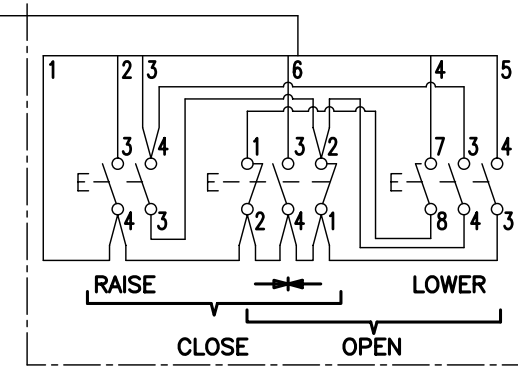
- GROUND BROWN

RED RED  
BLACK BUZZER

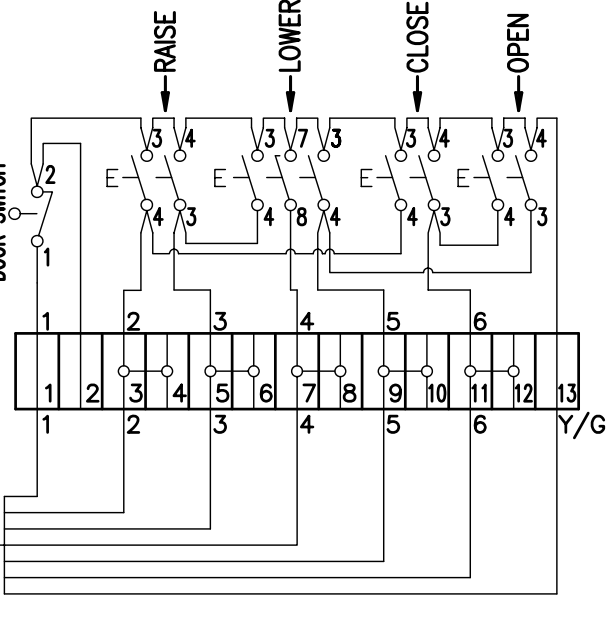
YELLOW



3-BUTTON REMOTE CONTROL



MASTER CONTROL BOX



MAIN CABLE 2m

MAIN CABLE 3.7m

- M MOTOR
- LV LIFT VALVE
- TV TILT VALVE
- LCV LIFT CYLINDER VALVE
- TCV TILT CYLINDER VALVE

6

ELECTRICAL WIRING DIAGRAM FOR TAILLIFT

- WITH MASTER CONTROL BOX
- 1 PCS 3-BUTTON REMOTE CONTROL (SCHLEGEL)
- WITH ELECTRICAL TUBE BROKEN VALVE
- WITH AUTOMATICAL PLATFORM TILTING
- WITH SAFETY LOADING SYSTEM

