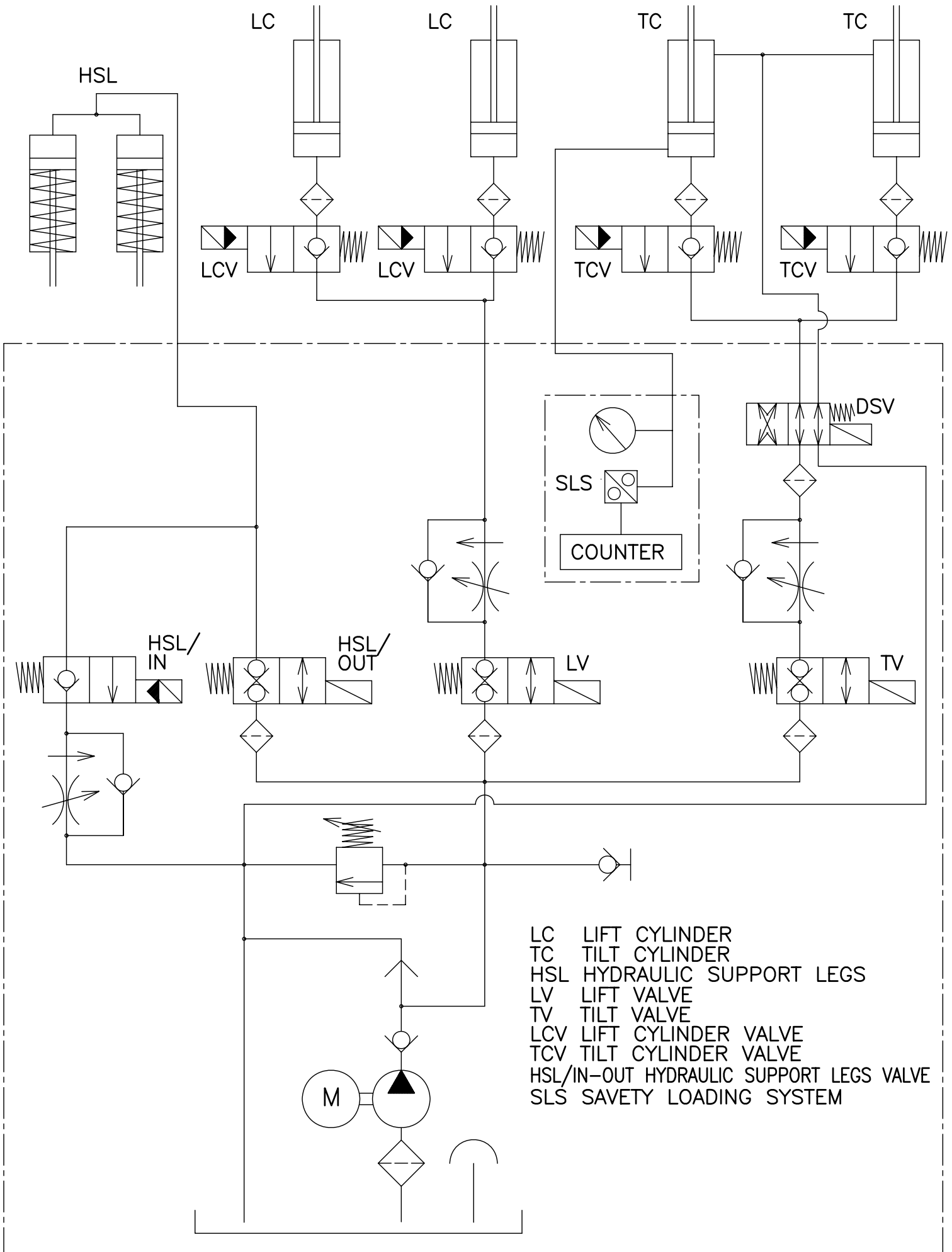
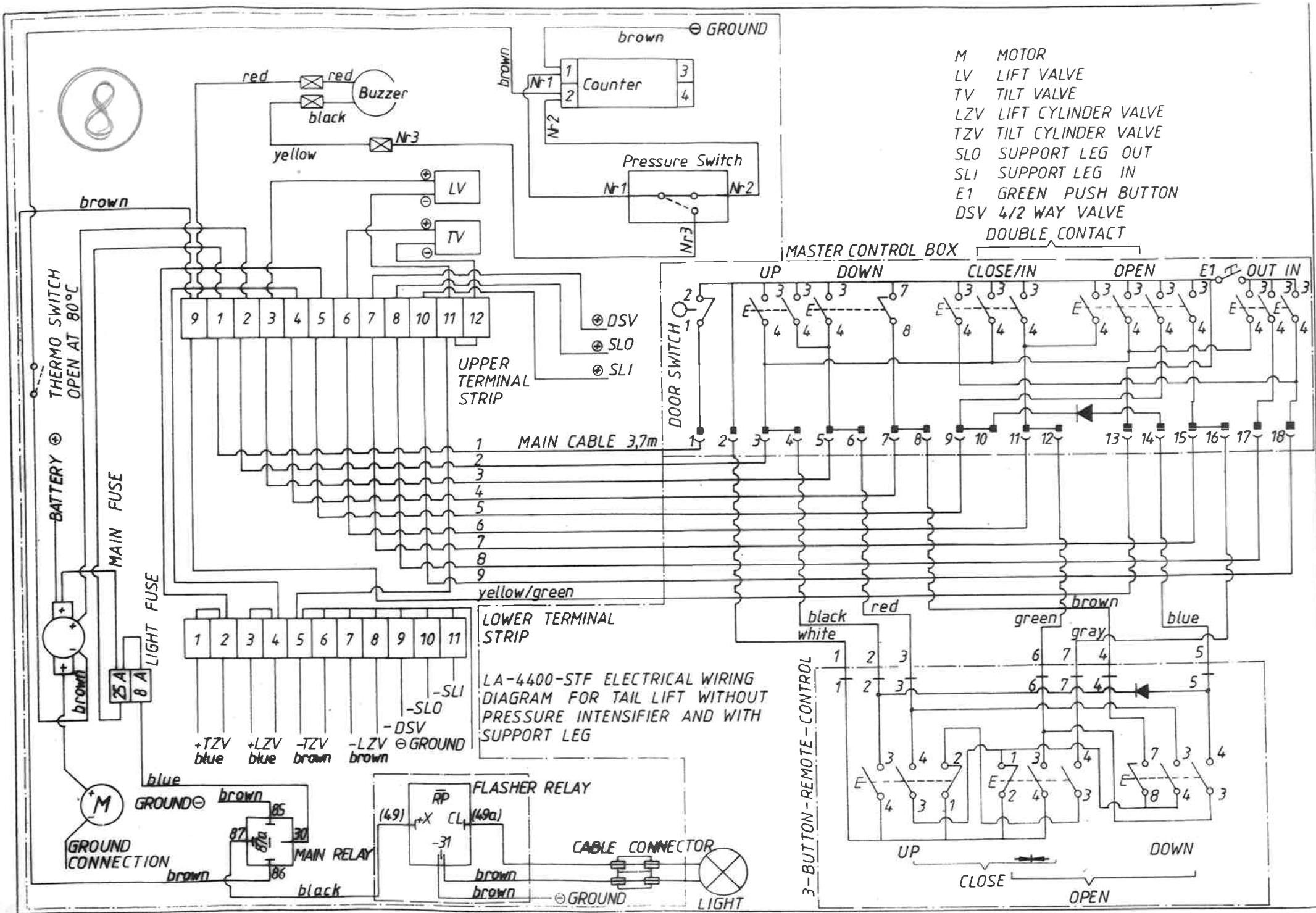


HYDRAULIC SCHEMATICS



- LC LIFT CYLINDER
- TC TILT CYLINDER
- HSL HYDRAULIC SUPPORT LEGS
- LV LIFT VALVE
- TV TILT VALVE
- LCV LIFT CYLINDER VALVE
- TCV TILT CYLINDER VALVE
- HSL/IN-OUT HYDRAULIC SUPPORT LEGS VALVE
- SLS SAFETY LOADING SYSTEM



- M MOTOR
- LV LIFT VALVE
- TV TILT VALVE
- LZV LIFT CYLINDER VALVE
- TZV TILT CYLINDER VALVE
- SLO SUPPORT LEG OUT
- SLI SUPPORT LEG IN
- E1 GREEN PUSH BUTTON
- DSV 4/2 WAY VALVE DOUBLE CONTACT

LA-4400-STF ELECTRICAL WIRING DIAGRAM FOR TAIL LIFT WITHOUT PRESSURE INTENSIFIER AND WITH SUPPORT LEG