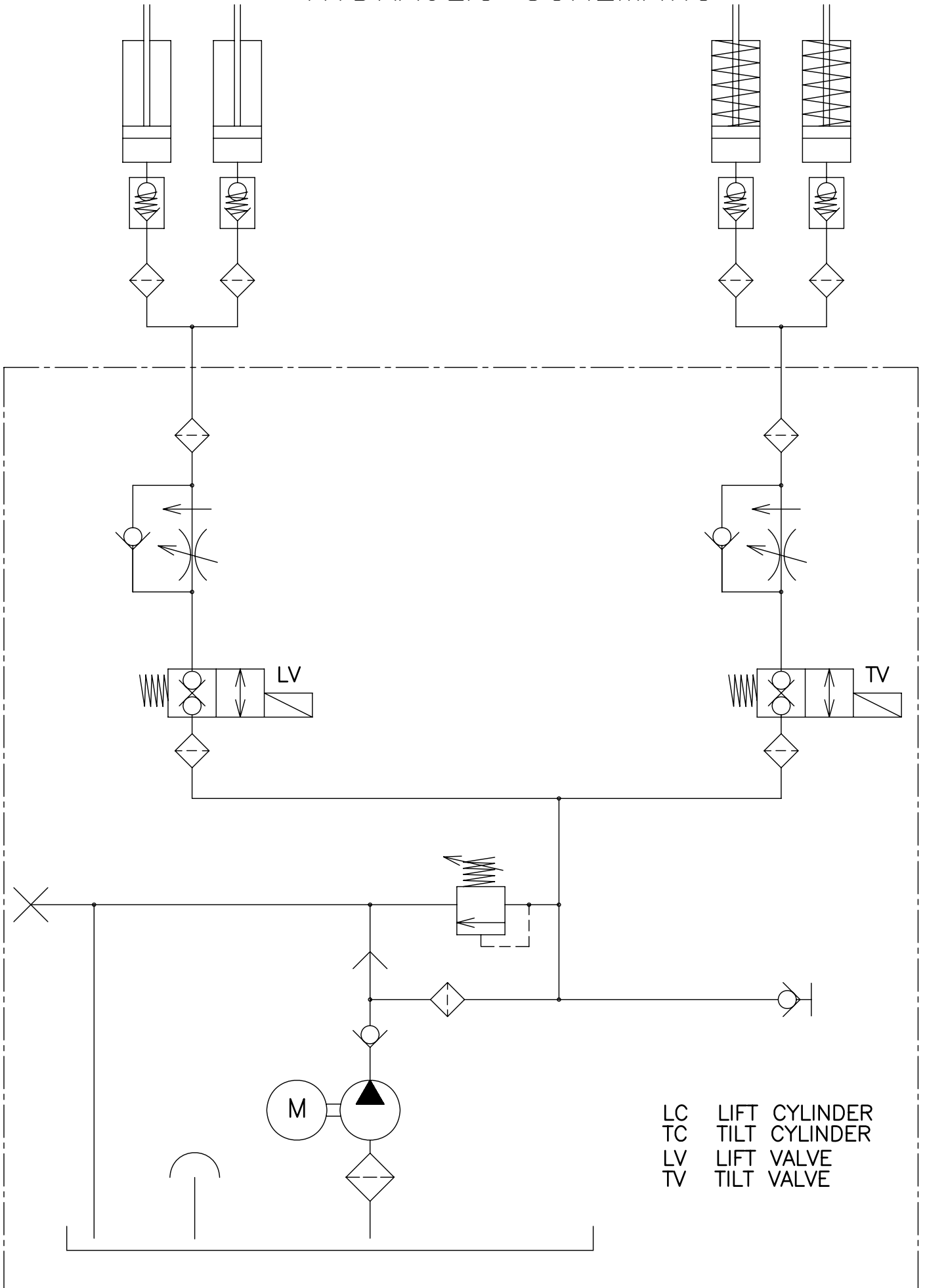


10 19 26

LC

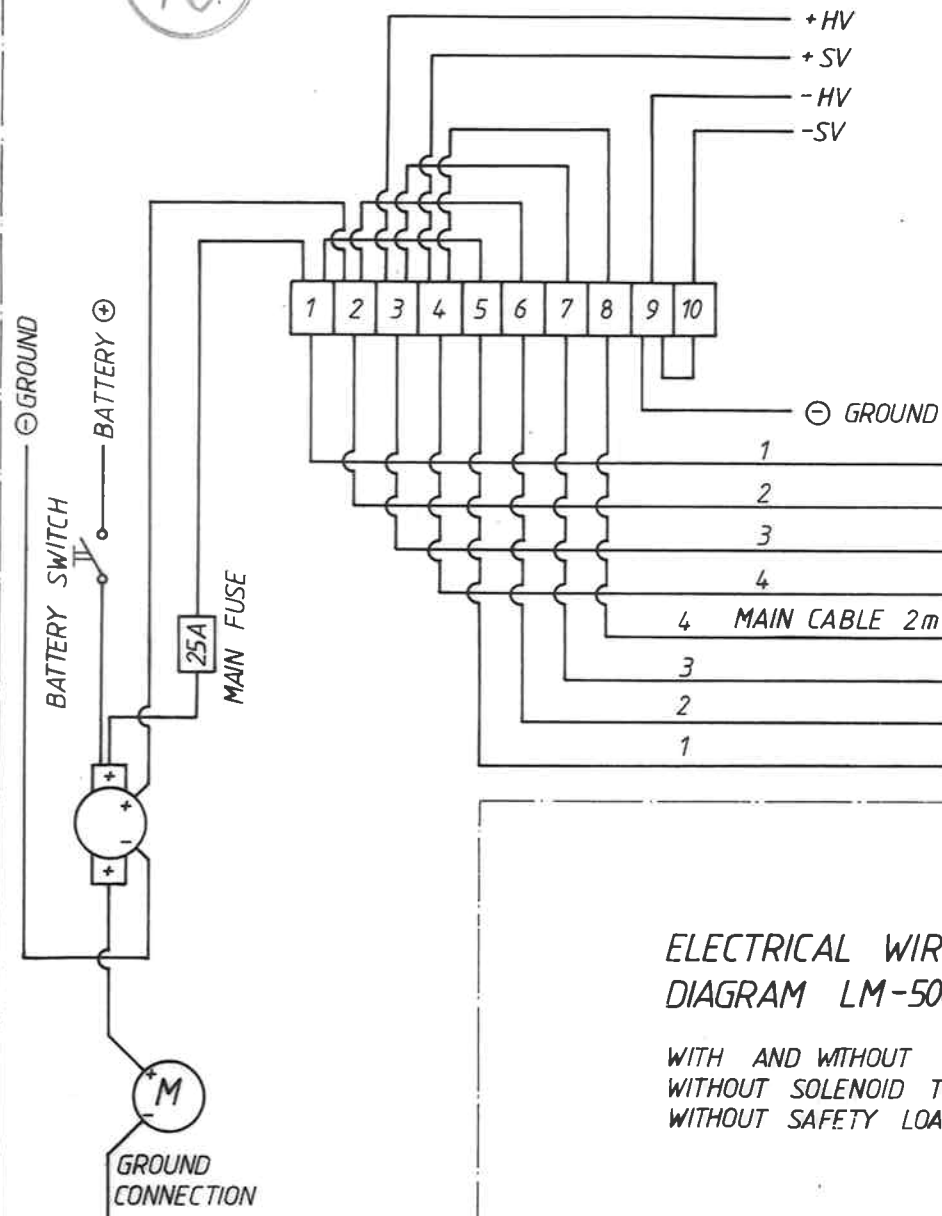
HYDRAULIC SCHEMATIC

TC



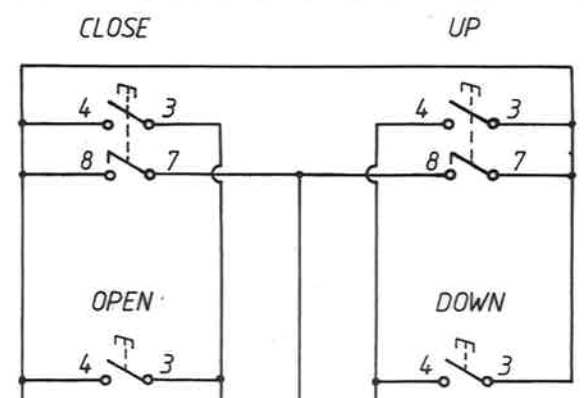
LC LIFT CYLINDER
TC TILT CYLINDER
LV LIFT VALVE
TV TILT VALVE

10



MAIN CABLE 1,1m

MAIN CABLE 2m
1 brown
2 white
3 black
4 red



**ELECTRICAL WIRING
DIAGRAM LM-500/1, -750/1, -1000/1, -1500/1**

WITH AND WITHOUT AUTOMATICAL PLATFORM TILTING
WITHOUT SOLENOID TUBE BROKEN VALVE
WITHOUT SAFETY LOADING SYSTEM

