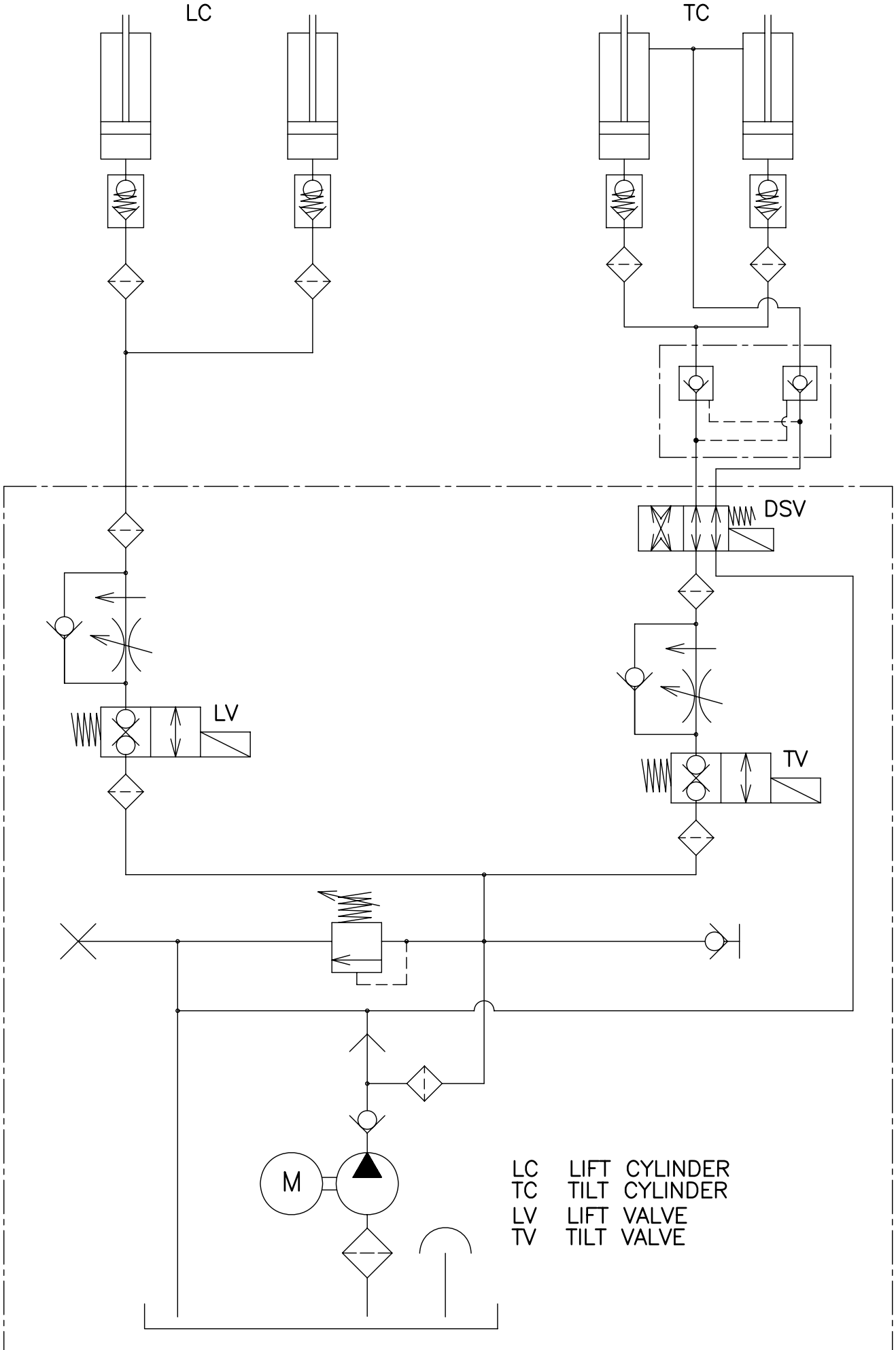
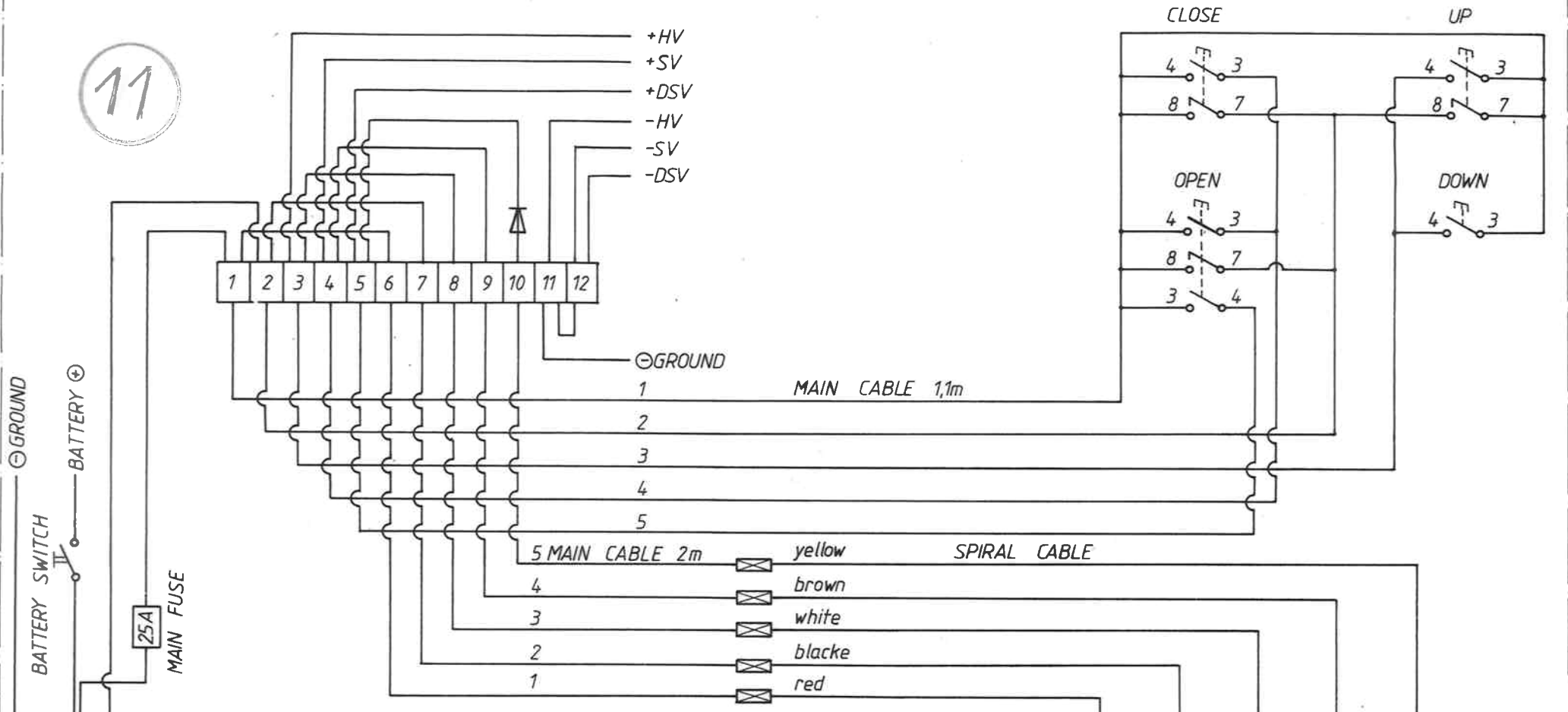


HYDRAULIC SCHEMATIC



11



ELECTRICAL WIRING DIAGRAM LM-2000/1

WITH AND WITHOUT AUTOMATICAL PLATFORM TILTING
 WITHOUT SOLENOID TUBE BROKEN VALVE
 WITHOUT SAFETY LOADING SYSTEM

