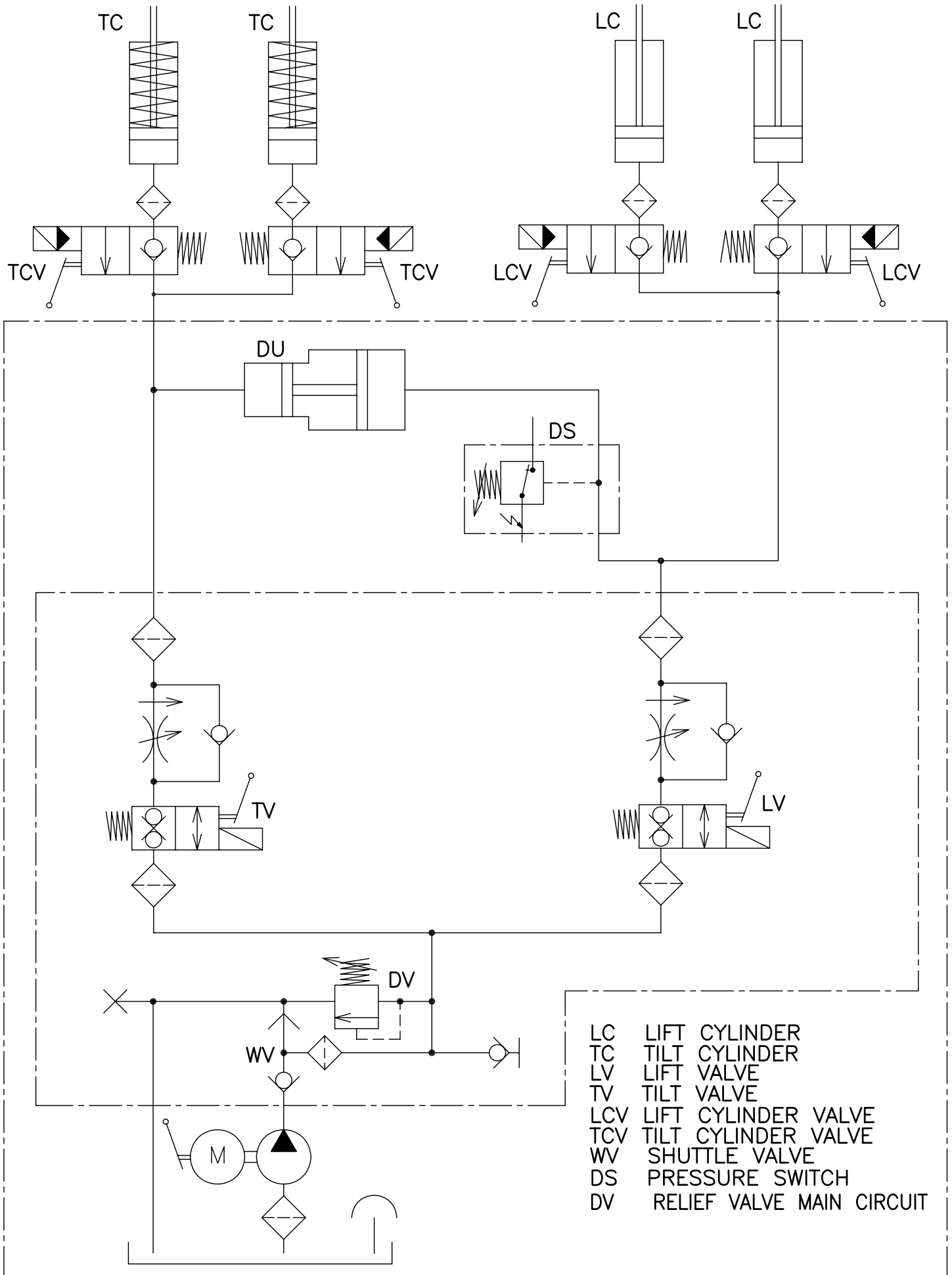


20

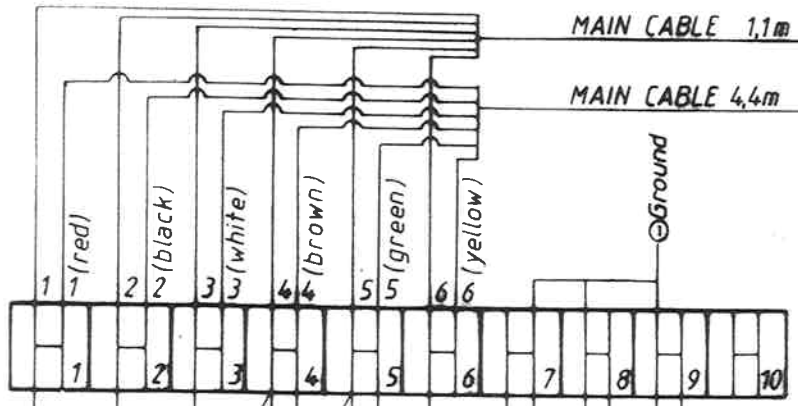
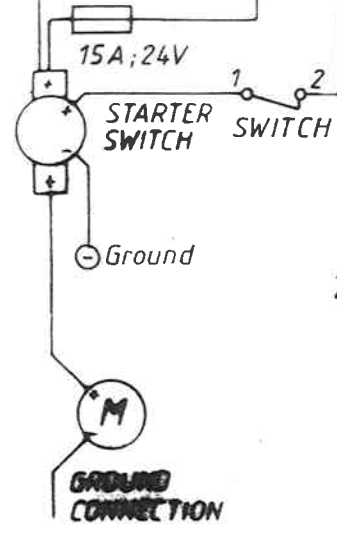
# HYDRAULISCHER SCHALTPLAN LBWESDNH



20

BATTERY

BATTERY SWITCH

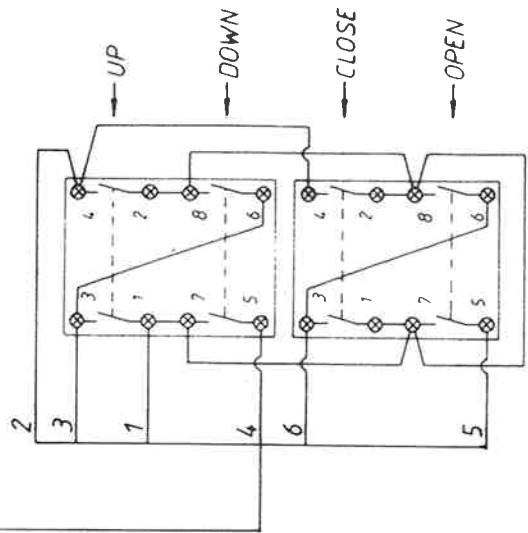


MAIN CABLE 1,1m

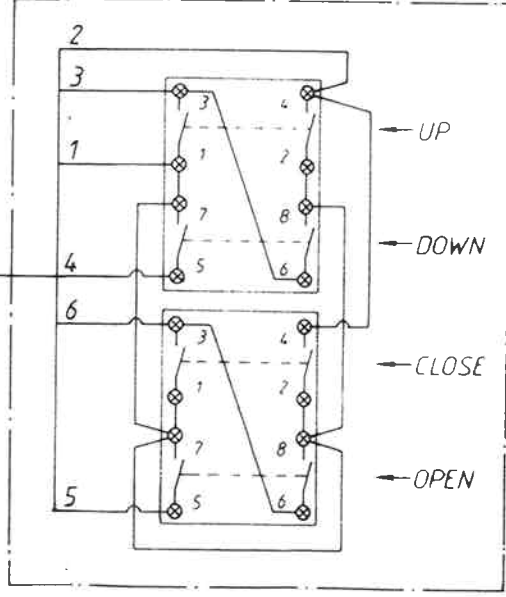
MAIN CABLE 4,4m

CONNECTOR

SPIRAL CABLE



4-BUTTON REMOTE CONTROL



ELECTRICAL WIRING DIAGRAM

