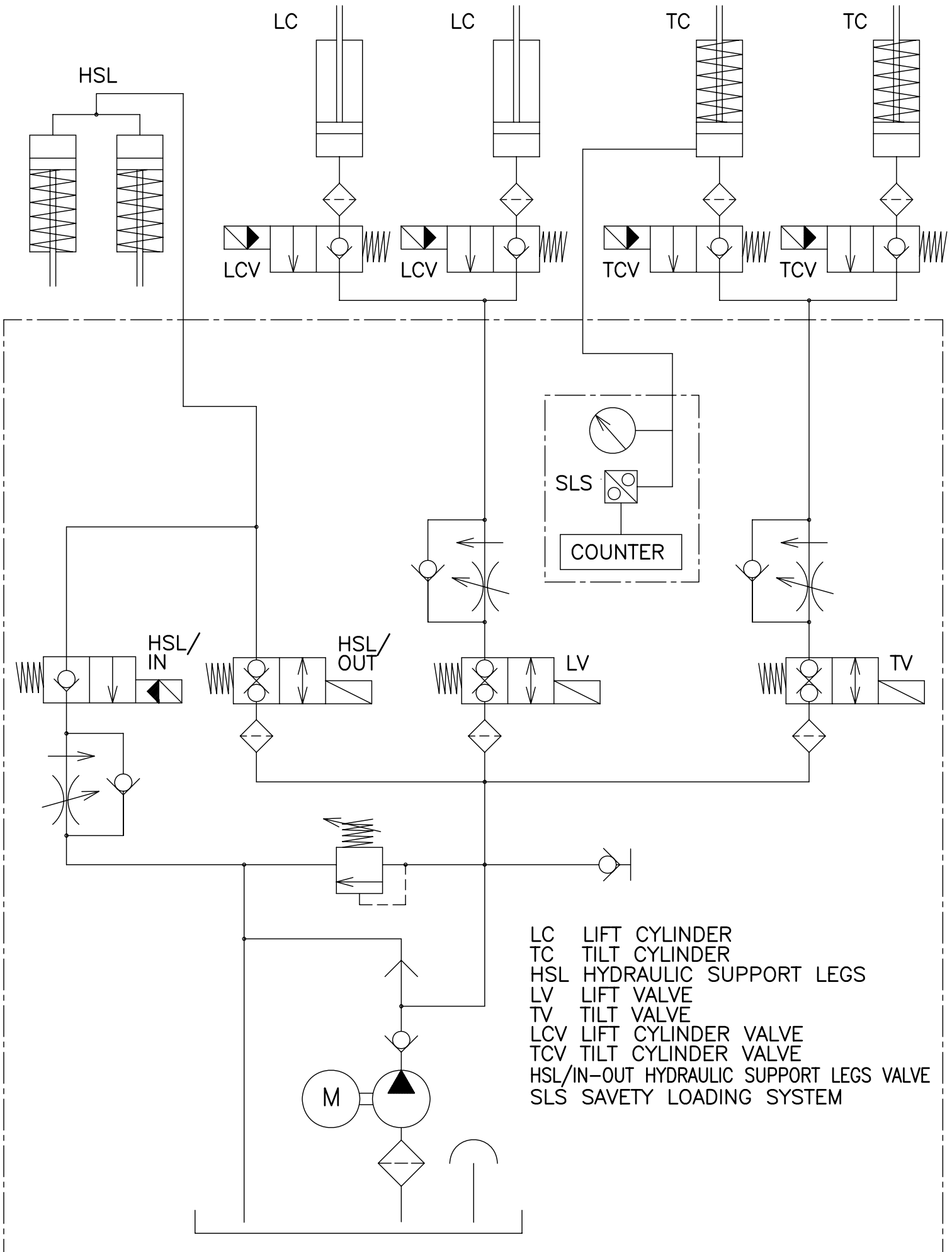
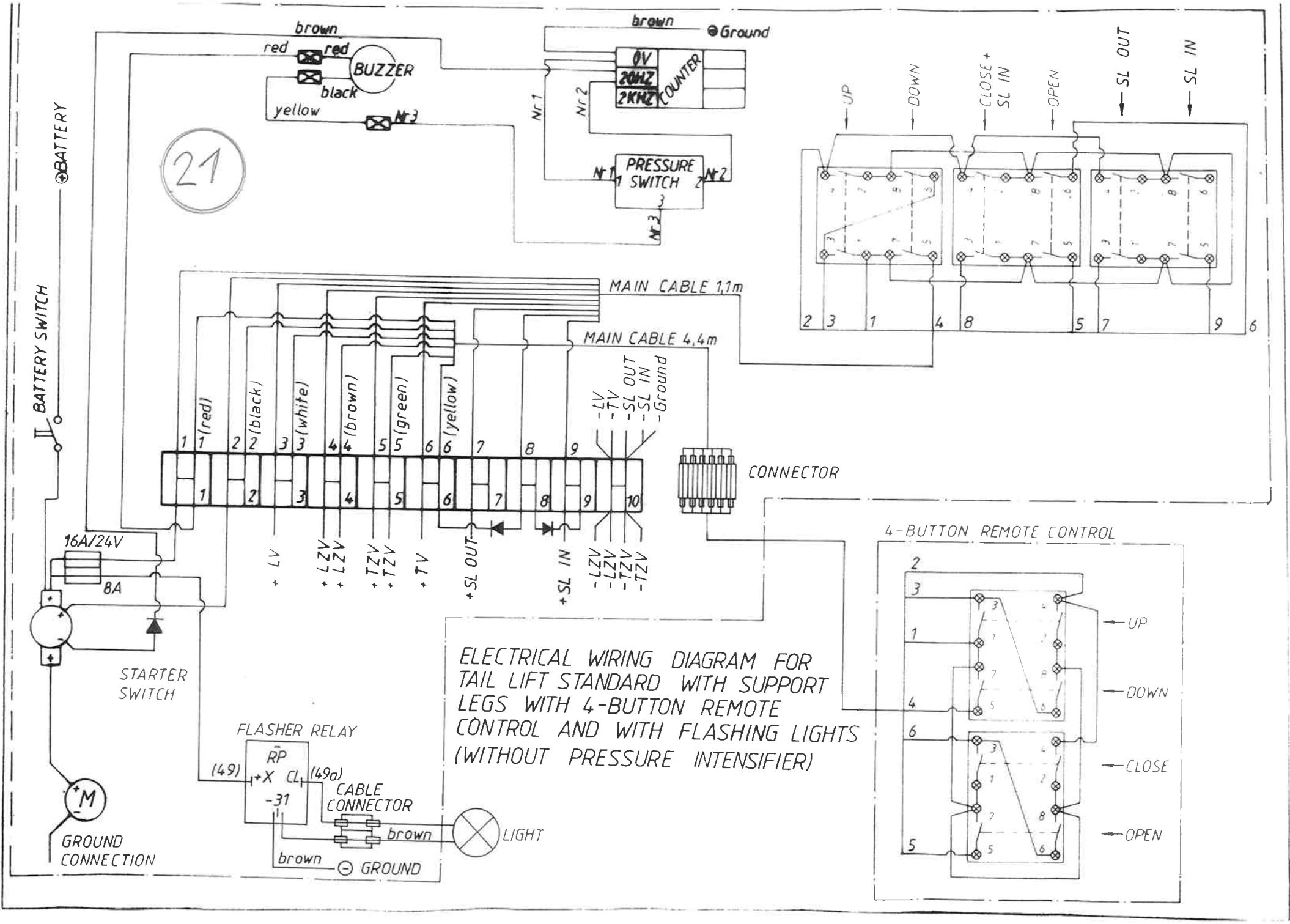


HYDRAULIC SCHEMATICS



- LC LIFT CYLINDER
- TC TILT CYLINDER
- HSL HYDRAULIC SUPPORT LEGS
- LV LIFT VALVE
- TV TILT VALVE
- LCV LIFT CYLINDER VALVE
- TCV TILT CYLINDER VALVE
- HSL/IN-OUT HYDRAULIC SUPPORT LEGS VALVE
- SLS SAFETY LOADING SYSTEM



21

ELECTRICAL WIRING DIAGRAM FOR TAIL LIFT STANDARD WITH SUPPORT LEGS WITH 4-BUTTON REMOTE CONTROL AND WITH FLASHING LIGHTS (WITHOUT PRESSURE INTENSIFIER)