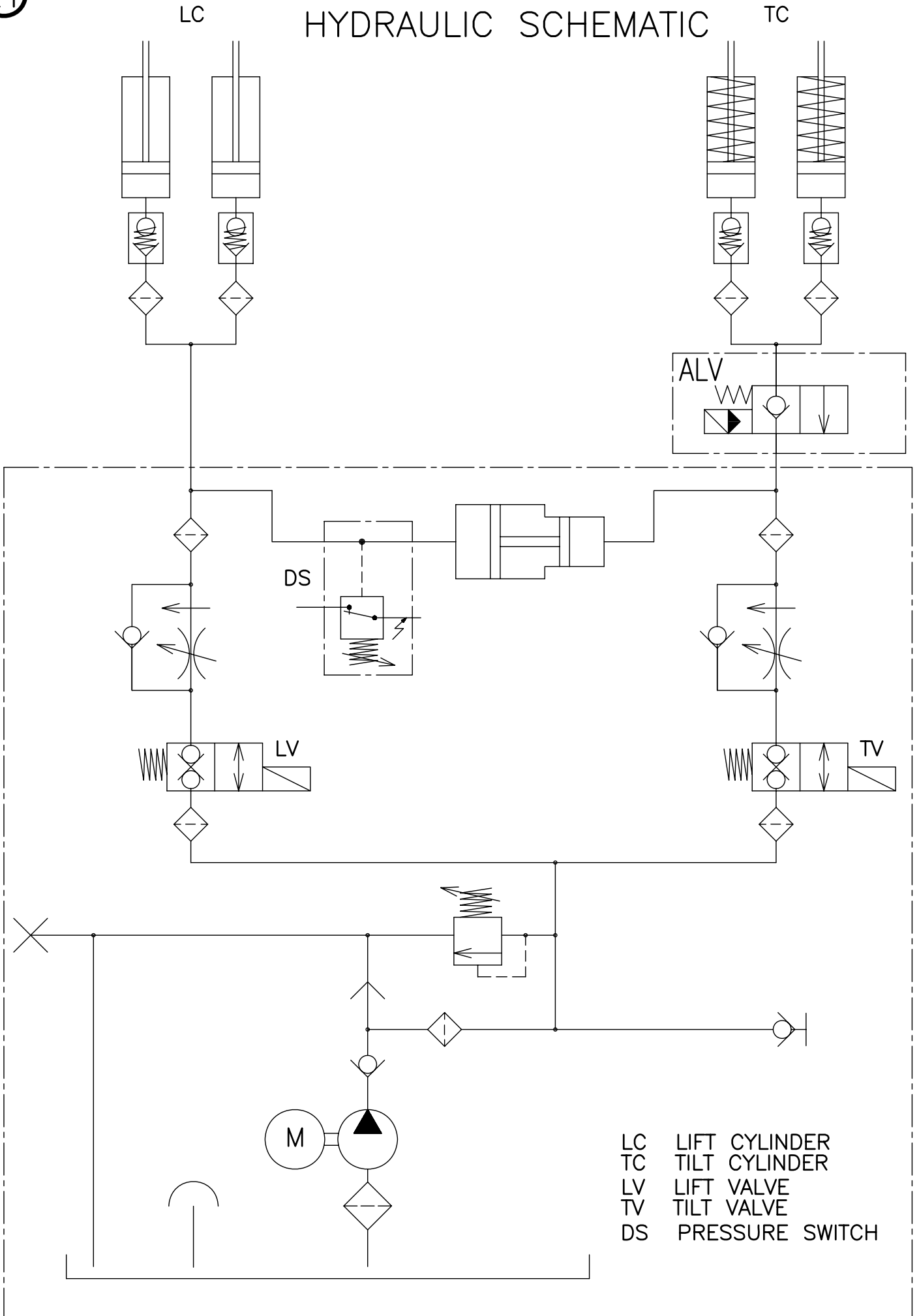
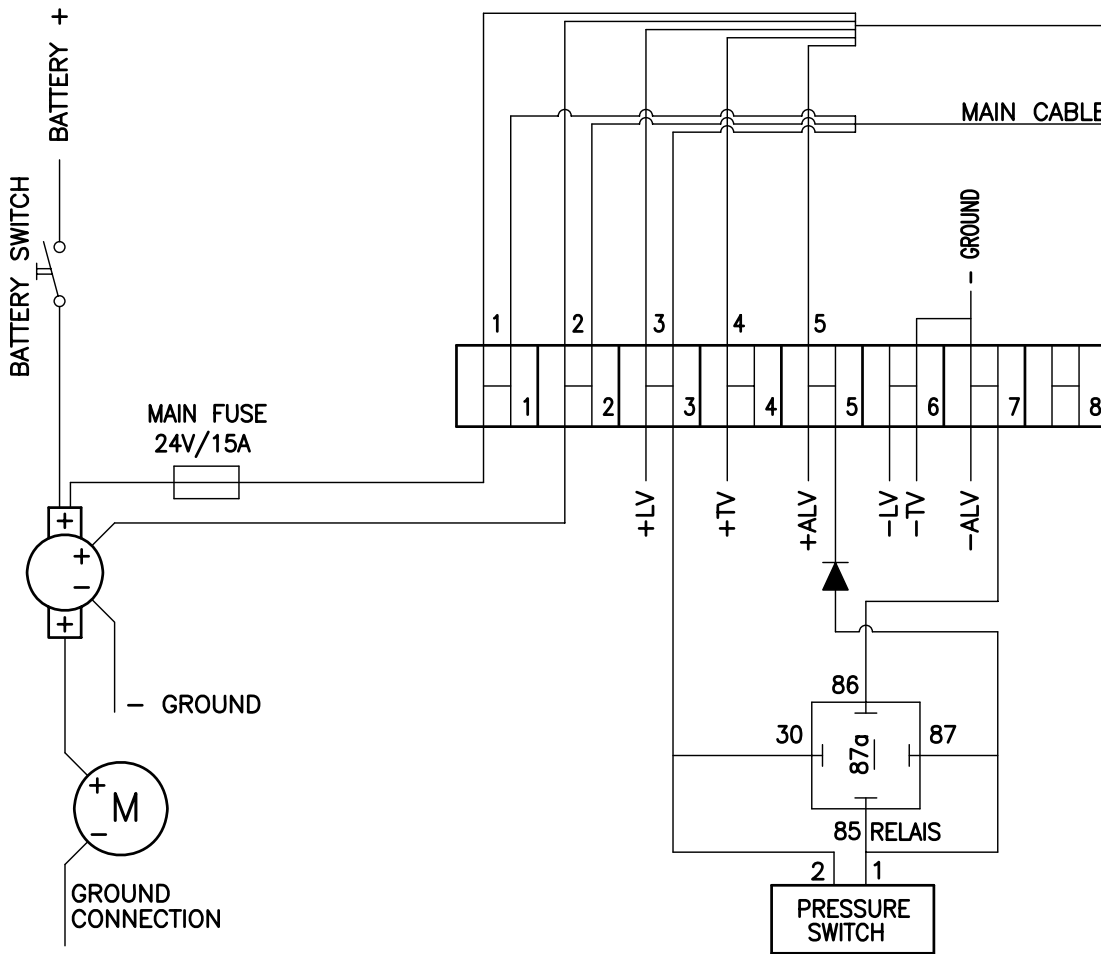


# HYDRAULIC SCHEMATIC



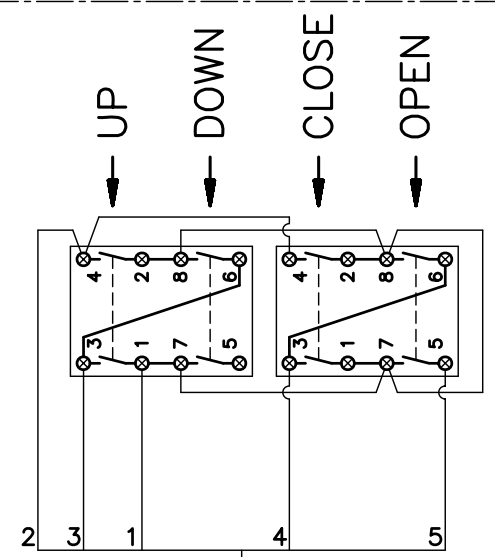
- LC LIFT CYLINDER
- TC TILT CYLINDER
- LV LIFT VALVE
- TV TILT VALVE
- DS PRESSURE SWITCH



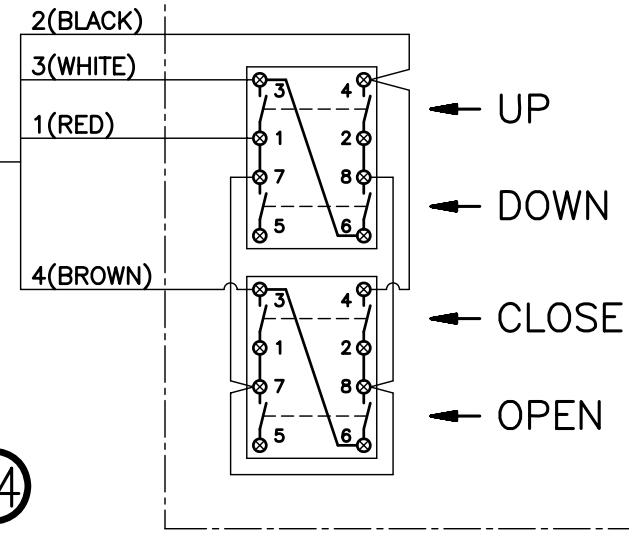
MAIN CABLE 1.4m

MAIN CABLE

SPIRAL CABLE



4-BUTTON REMOTE CONTROL



24