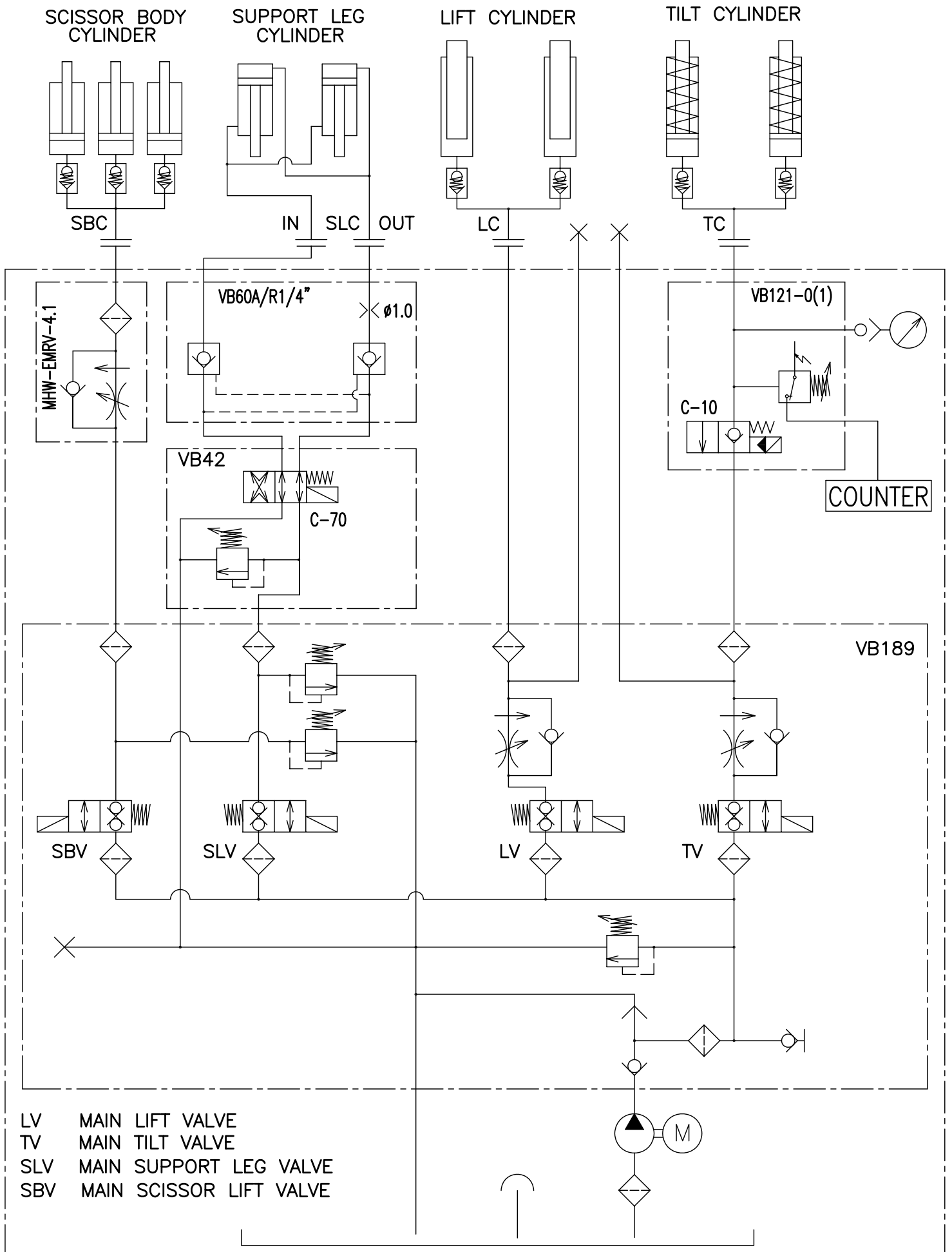
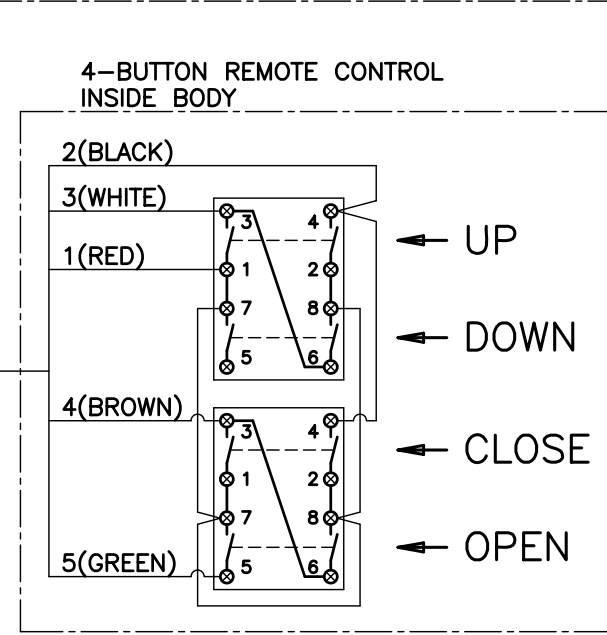
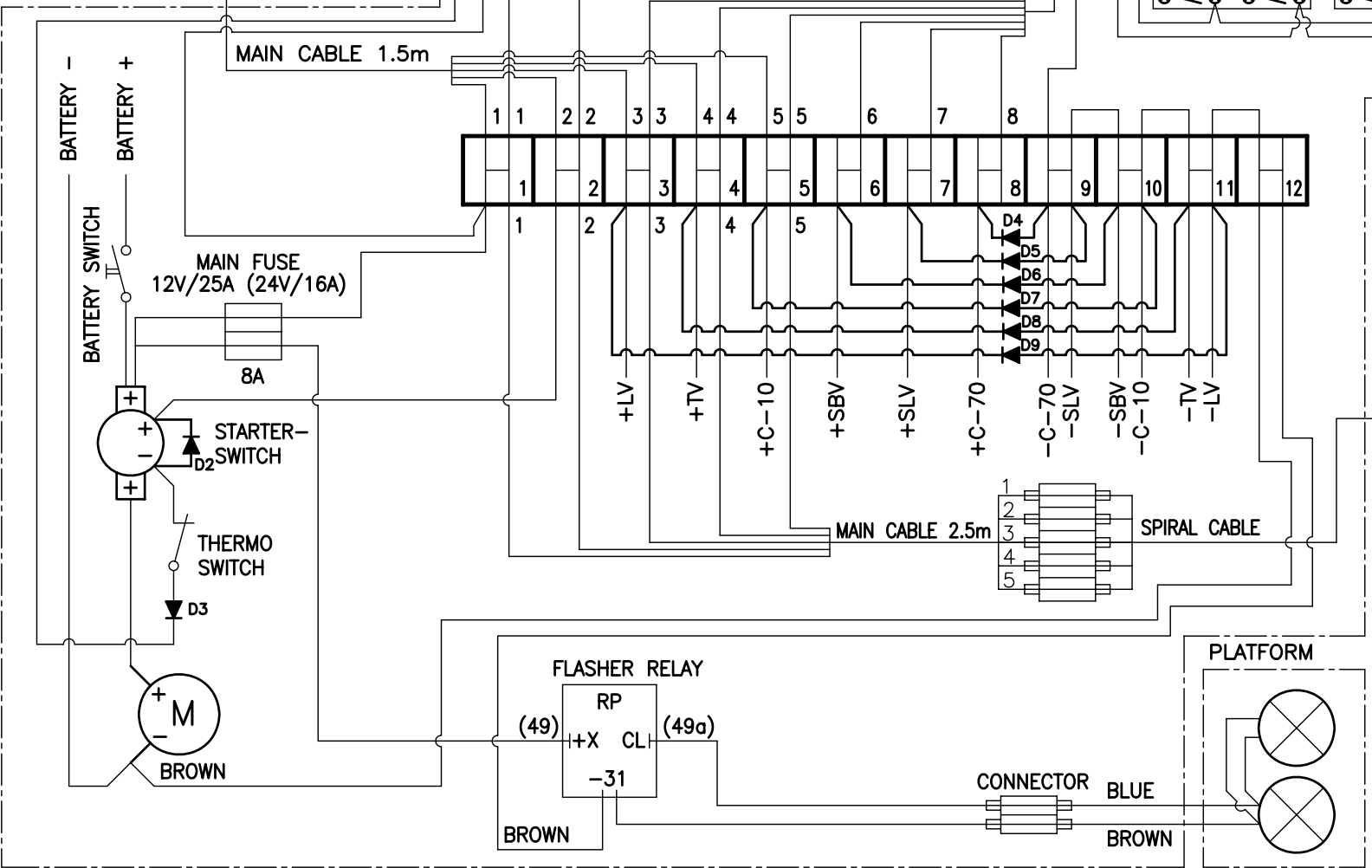
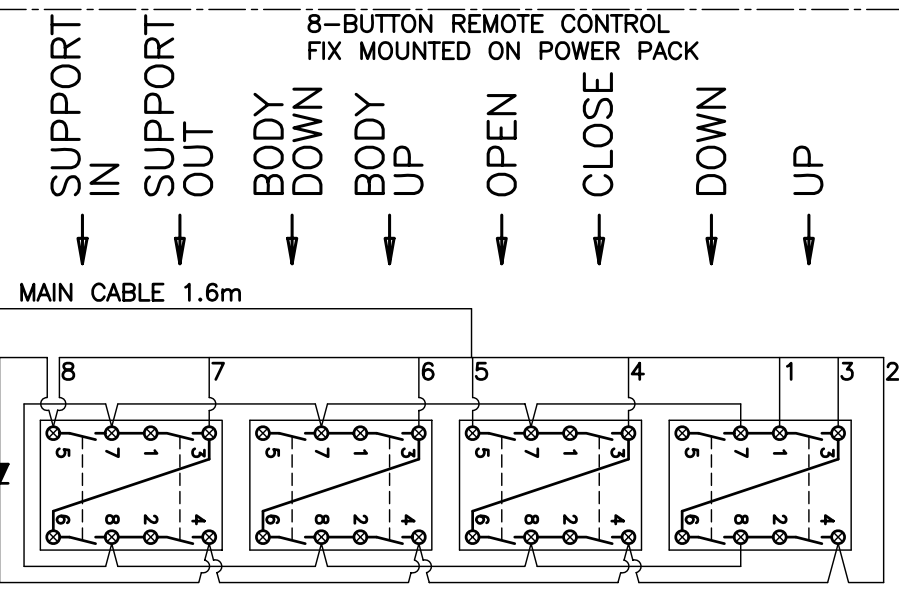
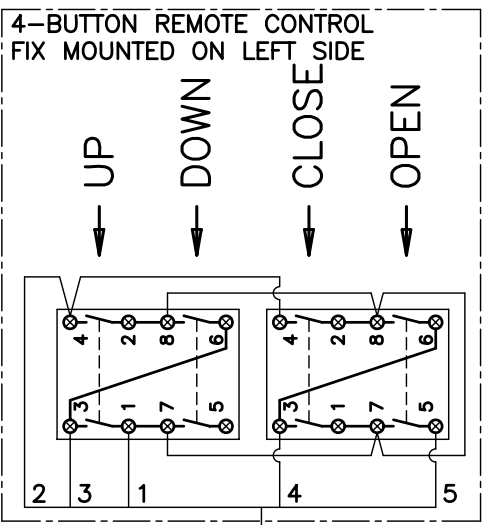


36 HYDRAULIC SCHEMATIC (VB189+VB121-0(1)+VB42+VB60A)



LV MAIN LIFT VALVE
 TV MAIN TILT VALVE
 SLV MAIN SUPPORT LEG VALVE
 SBV MAIN SCISSOR LIFT VALVE



36
ELECTRICAL WIRING DIAGRAM
LSMB2SBWNC