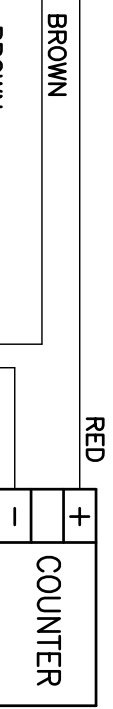
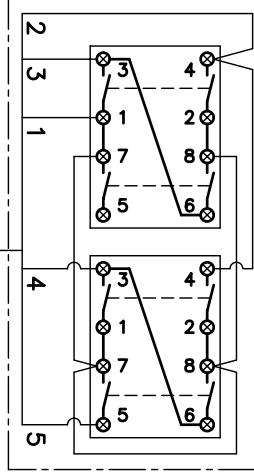
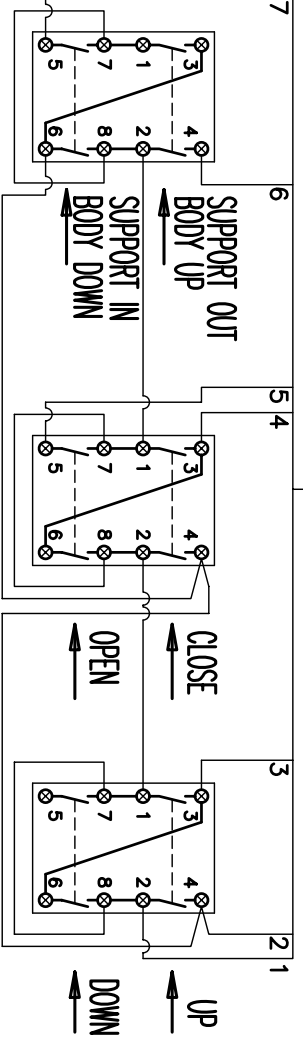


4-BUTTON REMOTE CONTROL
FIX MOUNTED ON LEFT SIDE

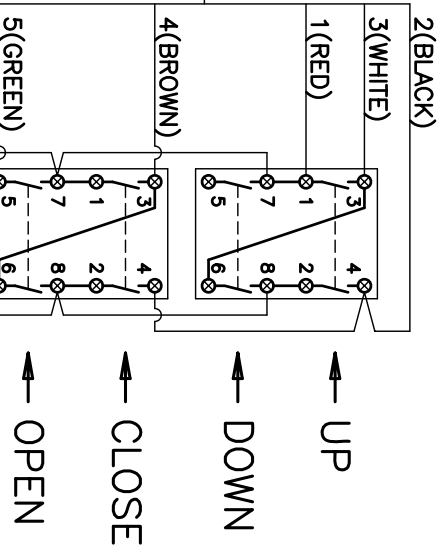
UP
DOWN
CLOSE
OPEN



6-BUTTON REMOTE CONTROL
FIX MOUNTED ON POWER PACK



4-BUTTON REMOTE CONTROL
INSIDE BODY



ELECTRICAL WIRING DIAGRAM

LSMB2SBWNC

(VB286+VB300+VB241)

SYNERGY



40

SCISSOR BODY CYLINDER

HYDRAULIC SCHEMATIC FOR TAILLIFT

41

SUPPORT LEG CYLINDER

LIFT CYLINDER

TILT CYLINDER

45

