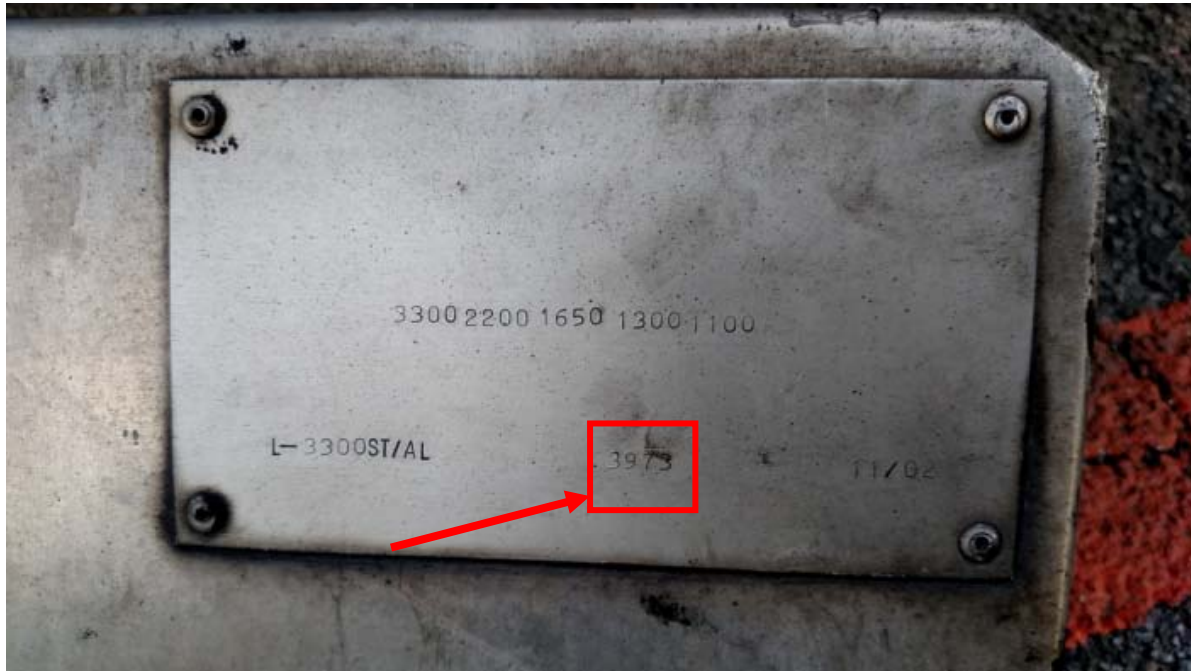
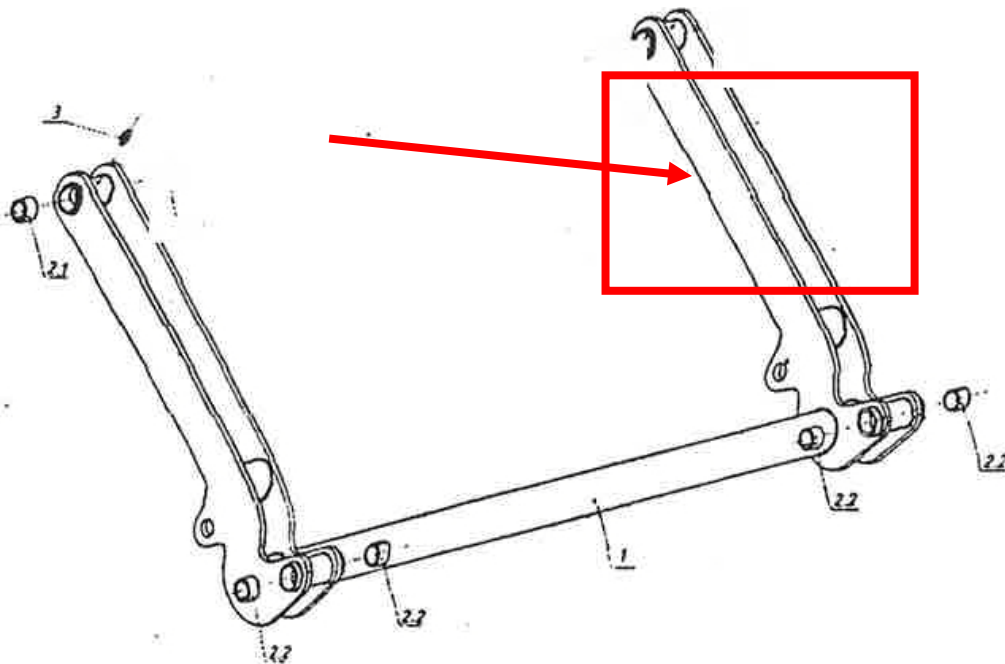


Location of Serial # on AHT Liftgates (4 Places)

All Serial #'s are 3 or 4 digits



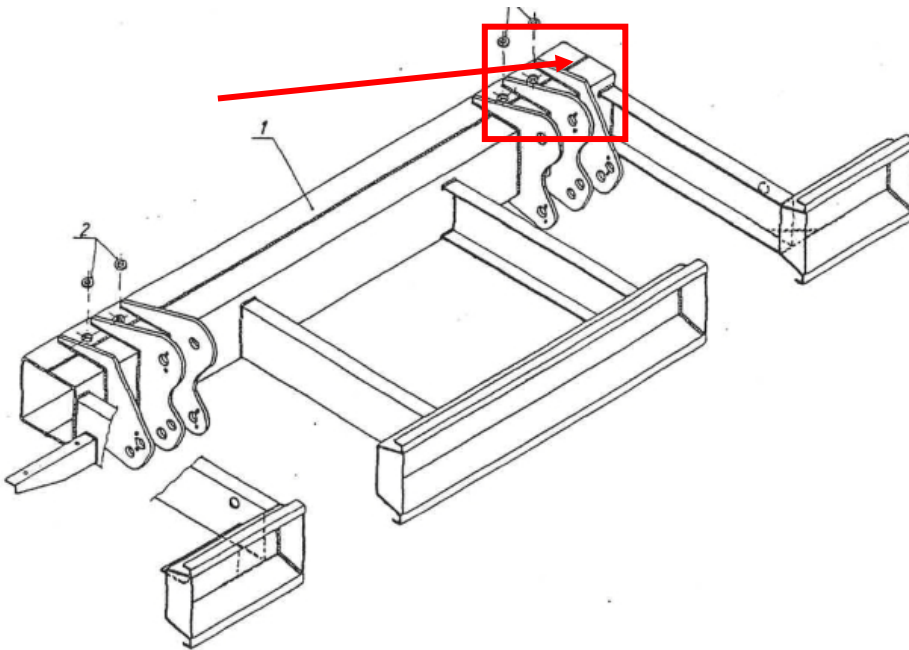
Mounted on metal plate riveted to the outside power pack cover



Stamped on flat surface on Lift Arm on Power Pack side



Stamped in right lower area of platform (Platform Closed)



Stamped on top of main frame assembly at mounting brackets on Power Pack side